
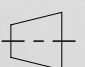




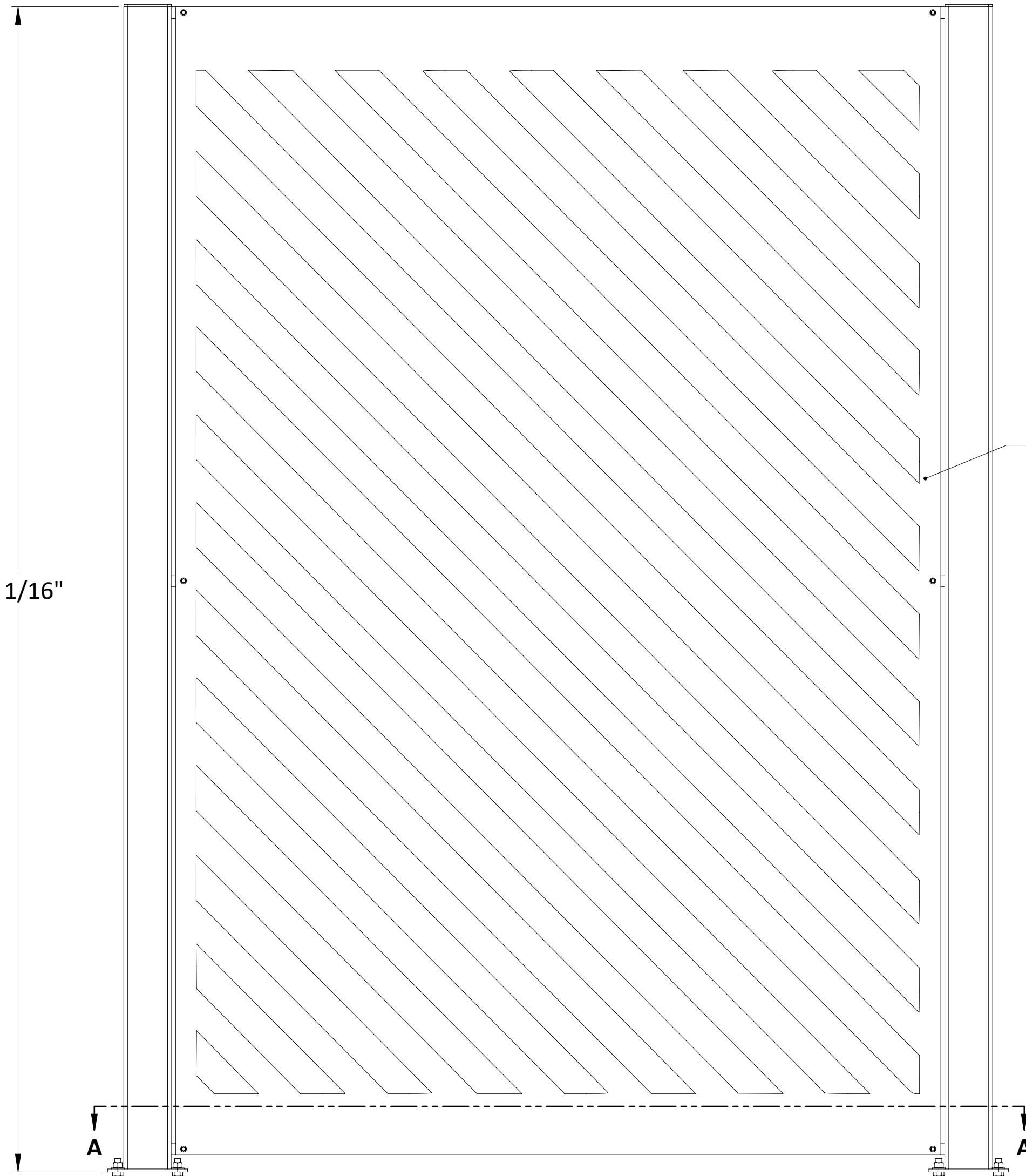
The information included in this document is proprietary and shall not be reproduced, transferred, or disclosed to others, for any purpose whatsoever, without the written authorization of Quantum Design and Technologies Inc.

PROJECTION:  

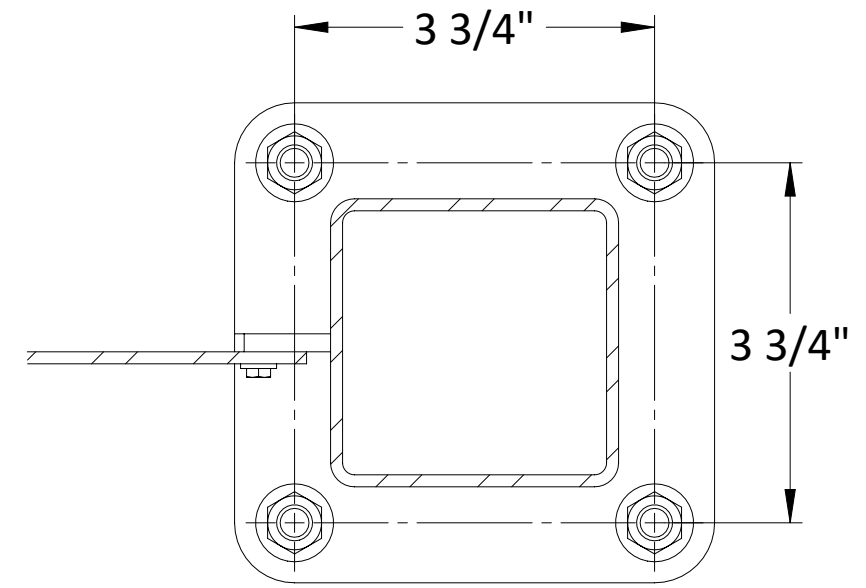
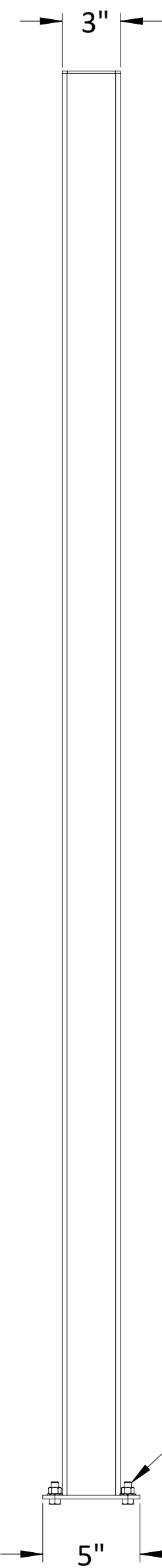
SHEET SIZE: **C**

DRAWN: <b>TP</b>	PROJECT NAME: <b>PRIVACY SCREENS (4 X 6)</b>	WT: <b>130.8 lbs</b>
CHECKED: <b>NB</b>	PROJECT #: <b>N/A</b>	FINISH: <b>POWDERCOAT</b>
APP: <b>NB</b>	TITLE: <b>SLATTED RENDER</b>	
DATE: <b>2021-11-26</b>	SHEET 1 OF 4	DWG #: <b>N/A - 1</b> REV: <b>0</b>

73 1/16"

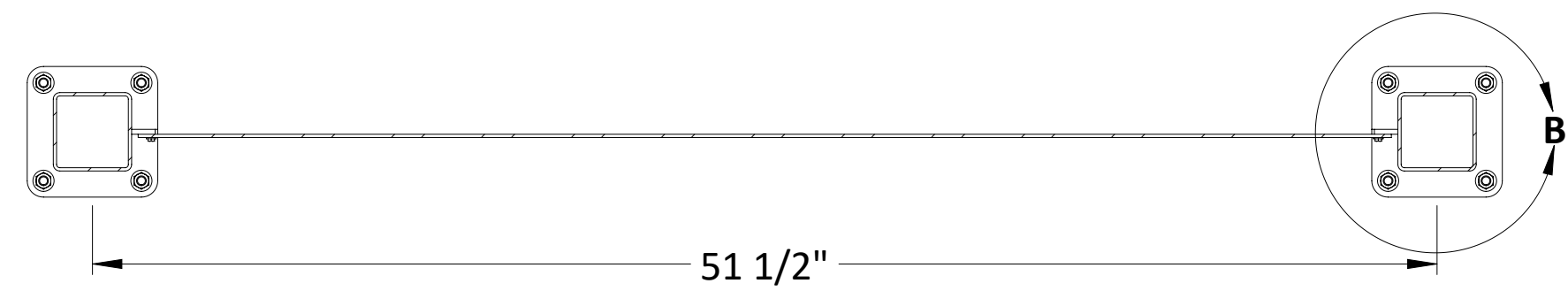


1/8" STEEL  
PRIVACY SCREEN



DETAIL B

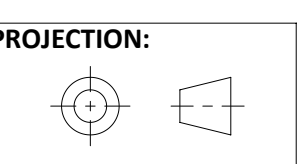
3/8" ANCHORS



SECTION A-A



The information included in this document is proprietary and shall not be reproduced, transferred, or disclosed to others, for any purpose whatsoever, without the written authorization of Quantum Design and Technologies Inc.

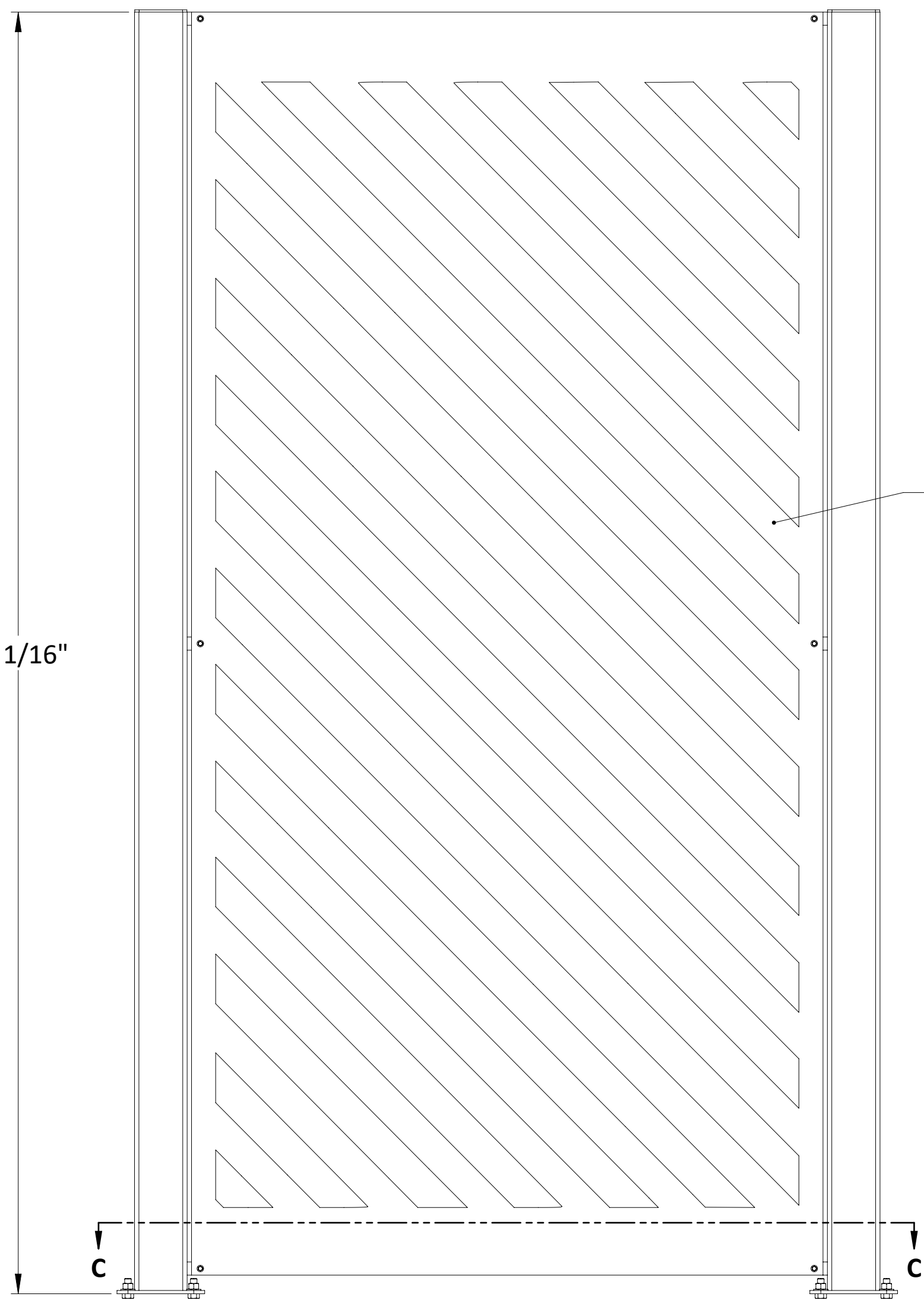


SHEET SIZE:  
**C**

DRAWN:	TP	PROJECT NAME:	PRIVACY SCREENS (4 X 6)		WT:	130.8 lbs
CHECKED:	NB	PROJECT #:	N/A	FINISH:	POWDERCOAT	
APP:	NB	TITLE:	SLATTED 3-VIEW (4 X 6)			
DATE:	2021-11-26	SHEET 2 OF 4	DWG #:	N/A - 2	REV:	0

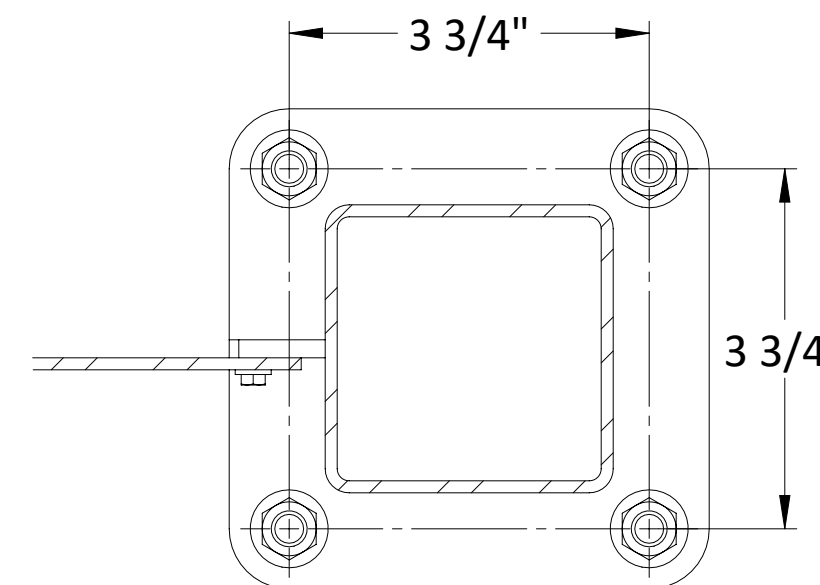
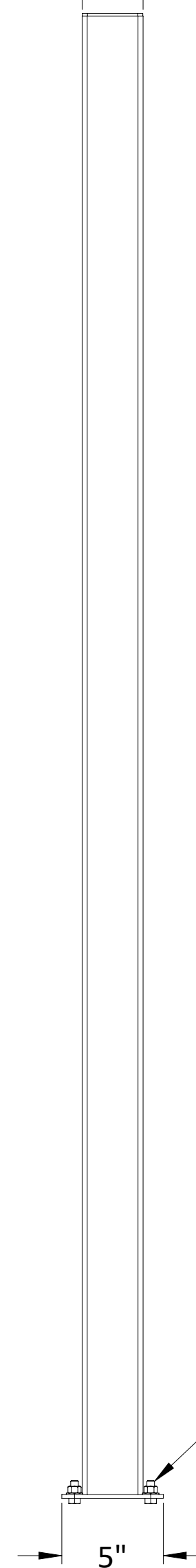
ALL DIMENSIONS IN INCHES UNLESS OTHERWISE NOTED

73 1/16"



1/8" STEEL  
PRIVACY SCREEN

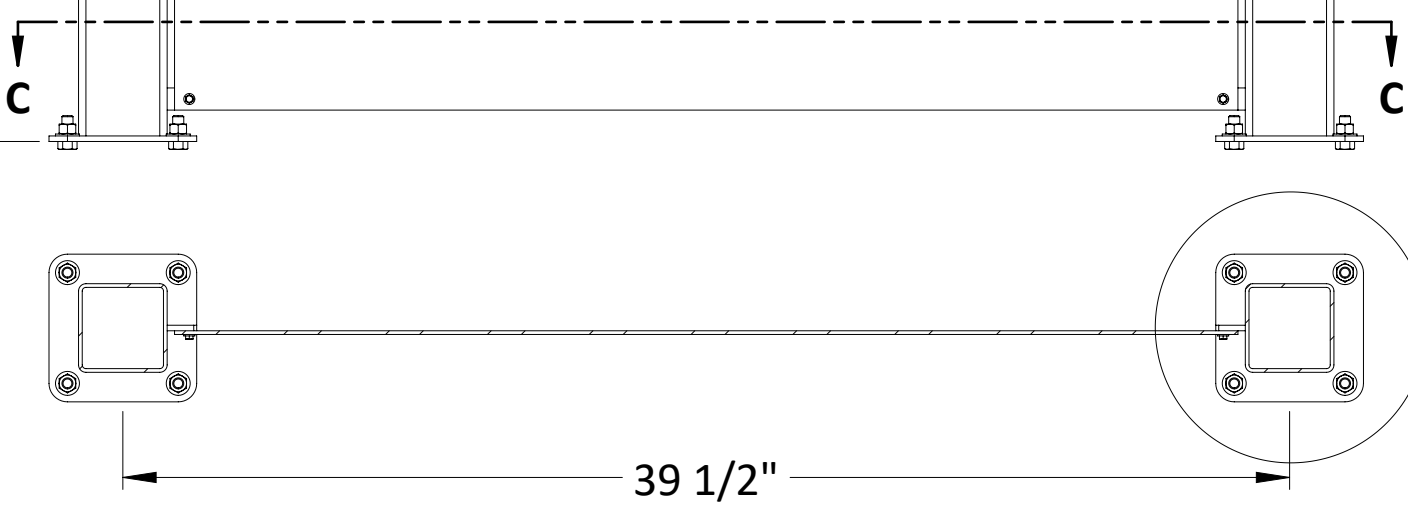
3"



DETAIL D

3/8" ANCHORS

5"

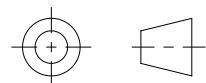


SECTION C-C



The information included in this document is proprietary and shall not be reproduced, transferred, or disclosed to others, for any purpose whatsoever, without the written authorization of Quantum Design and Technologies Inc.

PROJECTION:



SHEET SIZE:

C

DRAWN:

TP

PROJECT NAME:

PRIVACY SCREENS (4 X 6)

WT: 114.3 lbs

CHECKED:

NB

PROJECT #:

N/A

FINISH:

POWDERCOAT

APP:

NB

TITLE:

SLATTED 3-VIEW (3 X 6)

DATE:

2021-11-26

SHEET 3 OF 4

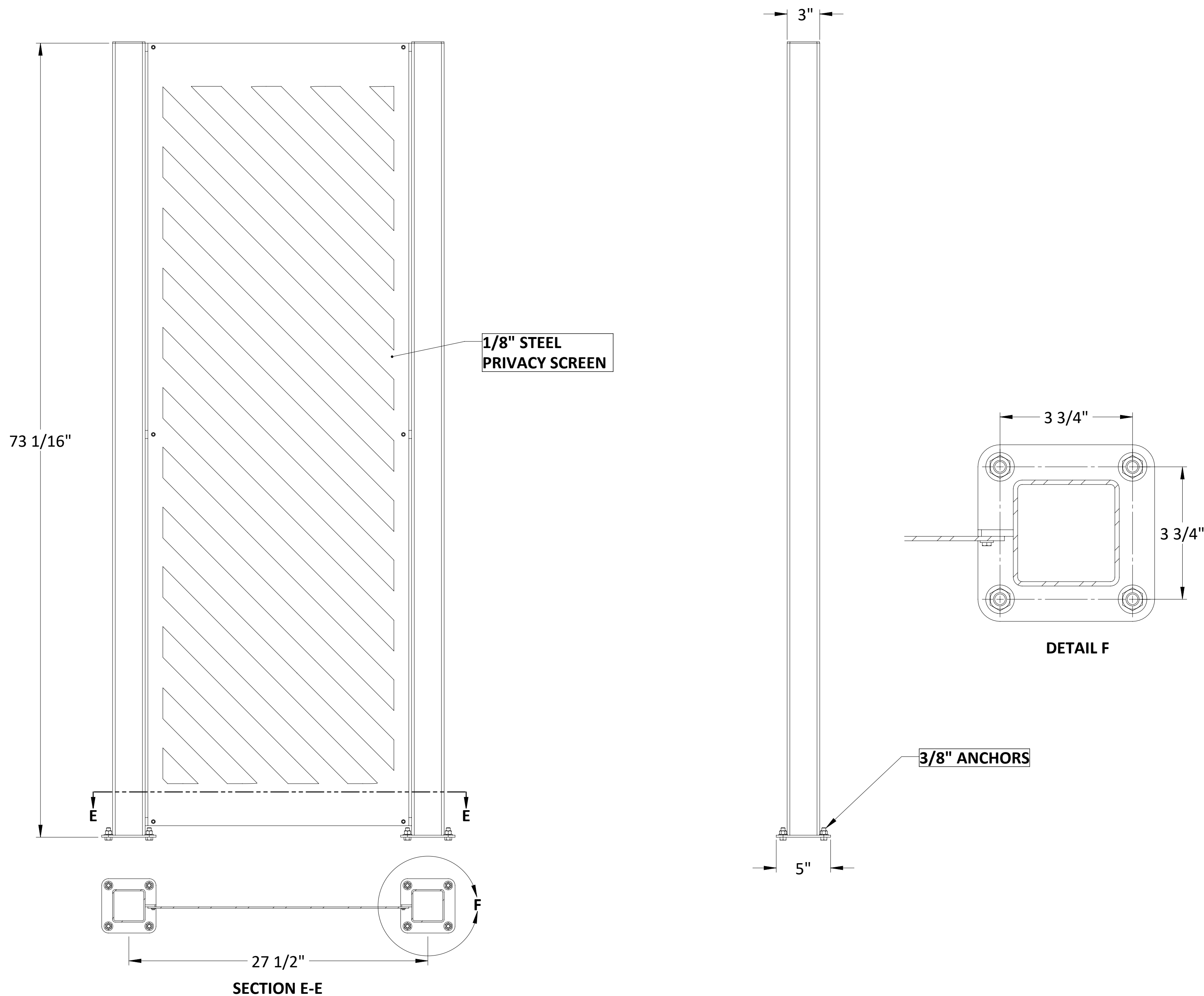
DWG #:

N/A - 3

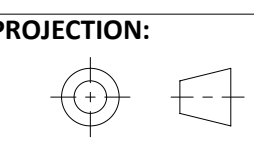
REV:

0

ALL DIMENSIONS IN INCHES UNLESS OTHERWISE NOTED



The information included in this document is proprietary and shall not be reproduced, transferred, or disclosed to others, for any purpose whatsoever, without the written authorization of Quantum Design and Technologies Inc.



SHEET SIZE:  
**C**

DRAWN:	<b>TP</b>	PROJECT NAME:	<b>PRIVACY SCREENS (4 X 6)</b>	WT:	<b>97.7 lbs</b>
CHECKED:	<b>NB</b>	PROJECT #:	<b>N/A</b>	FINISH:	<b>POWDERCOAT</b>
APP:	<b>NB</b>	TITLE:	<b>SLATTED 3-VIEW (2 X 6)</b>		
DATE:	<b>2021-11-26</b>	SHEET 4 OF 4	DWG #:	<b>N/A - 4</b>	REV: <b>0</b>

ALL DIMENSIONS IN INCHES UNLESS OTHERWISE NOTED