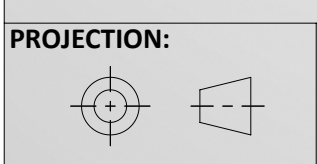


The information included in this document is proprietary and shall not be reproduced, transferred, or disclosed to others, for any purpose whatsoever, without the written authorization of Quantum Design and Technologies Inc.

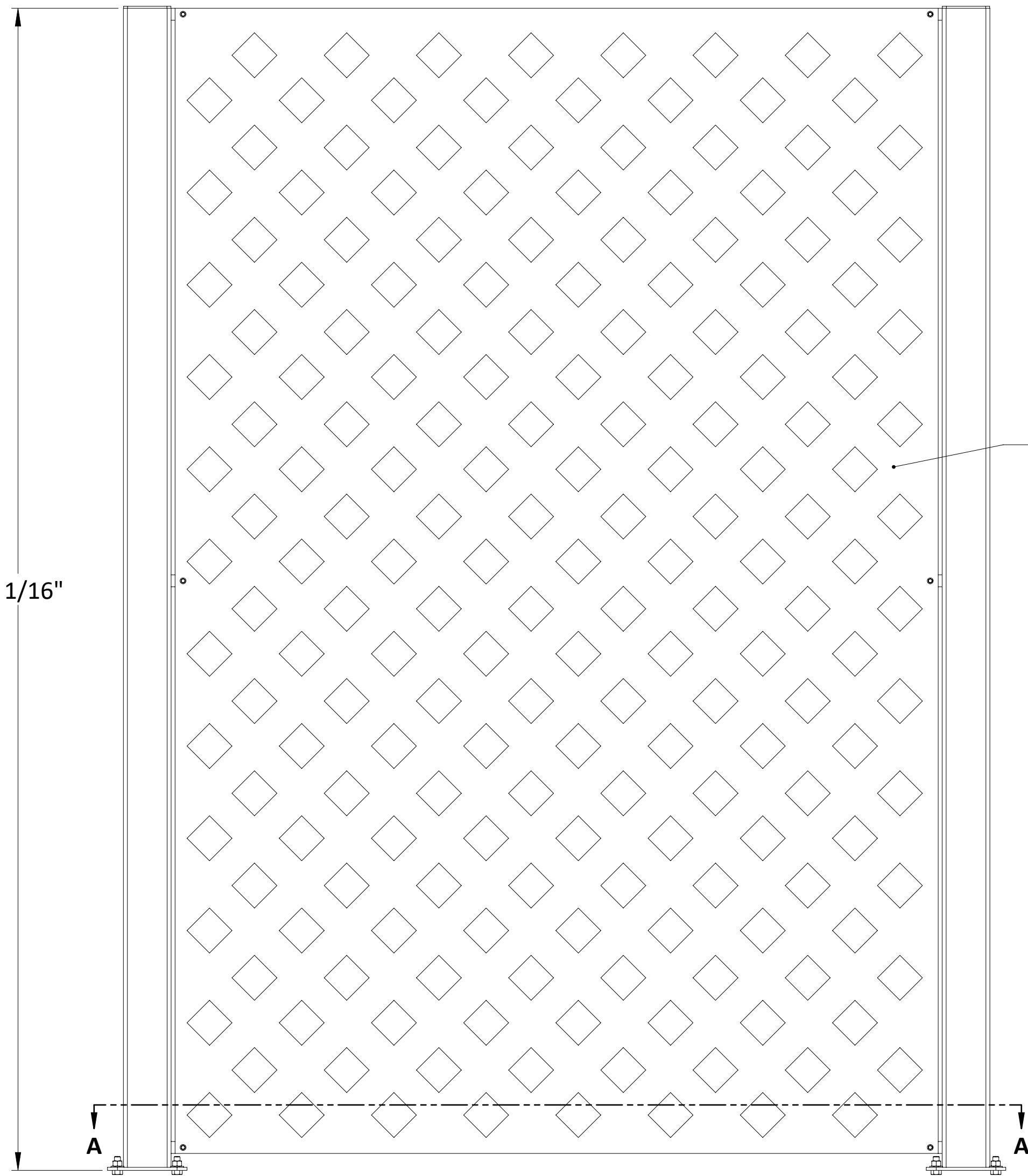


SHEET SIZE:
C

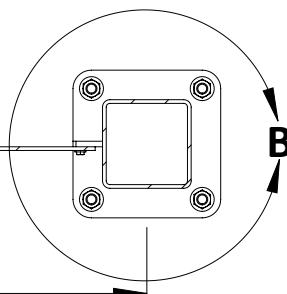
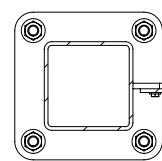
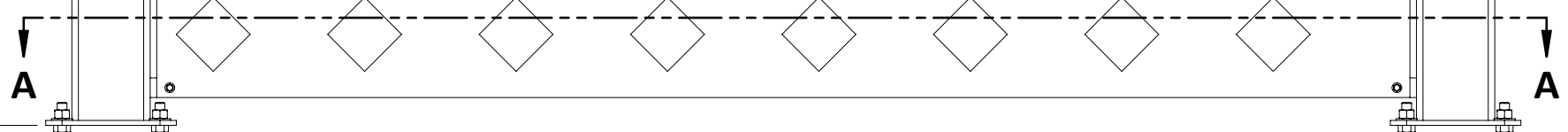
DRAWN:	TP	PROJECT NAME:	PRIVACY SCREENS (4 X 6)	WT:	156.5 lbs
CHECKED:	NB	PROJECT #:	N/A	FINISH:	POWDERCOAT
APP:	NB	TITLE:	LATTICE RENDER		
DATE:	2021-11-26	SHEET 1 OF 4	DWG #:	N/A - 1	REV: 0

ALL DIMENSIONS IN INCHES UNLESS OTHERWISE NOTED

73 1/16"



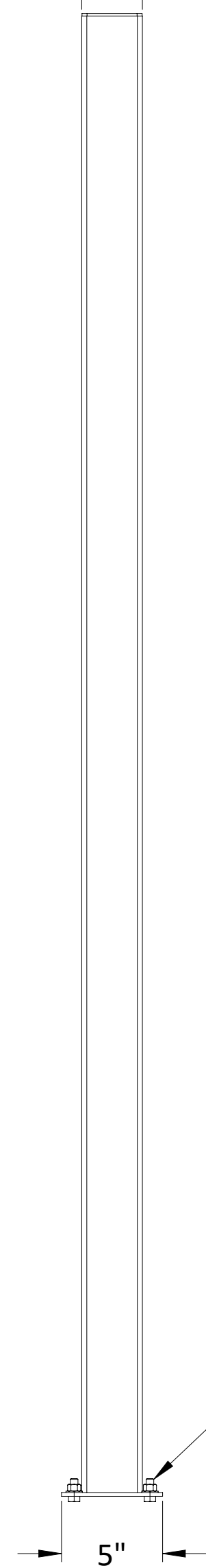
1/8" STEEL
PRIVACY SCREEN



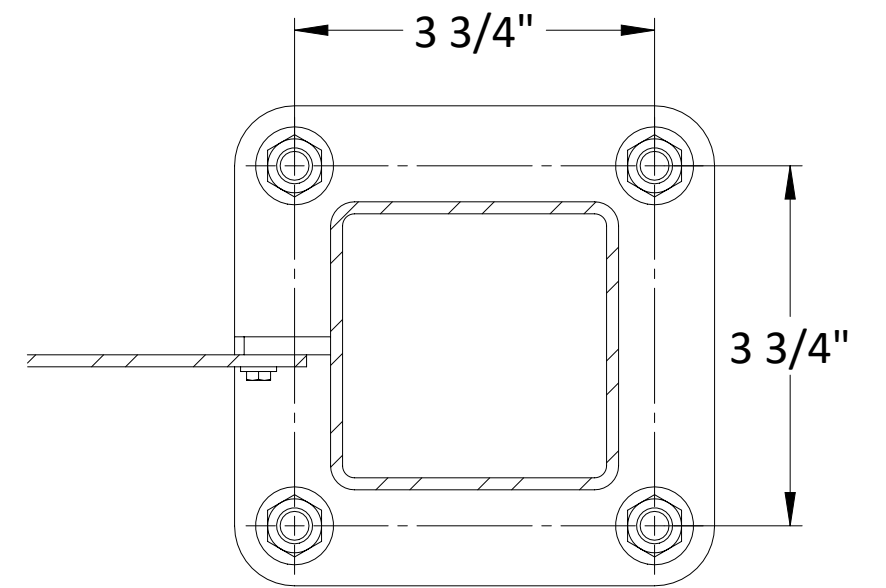
51 1/2"

SECTION A-A

3"



3/8" ANCHORS

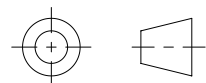


DETAIL B



The information included in this document is proprietary and shall not be reproduced, transferred, or disclosed to others, for any purpose whatsoever, without the written authorization of Quantum Design and Technologies Inc.

PROJECTION:



SHEET SIZE:

C

DRAWN:

TP

CHECKED:

NB

APP:

NB

DATE:

2021-11-26

PROJECT NAME:

PRIVACY SCREENS (4 X 6)

PROJECT #:

N/A

FINISH:

WT: 156.5 lbs

POWDERCOAT

TITLE:

LATTICE 3-VIEW (4 X 6)

SHEET 2 OF 4

DWG #:

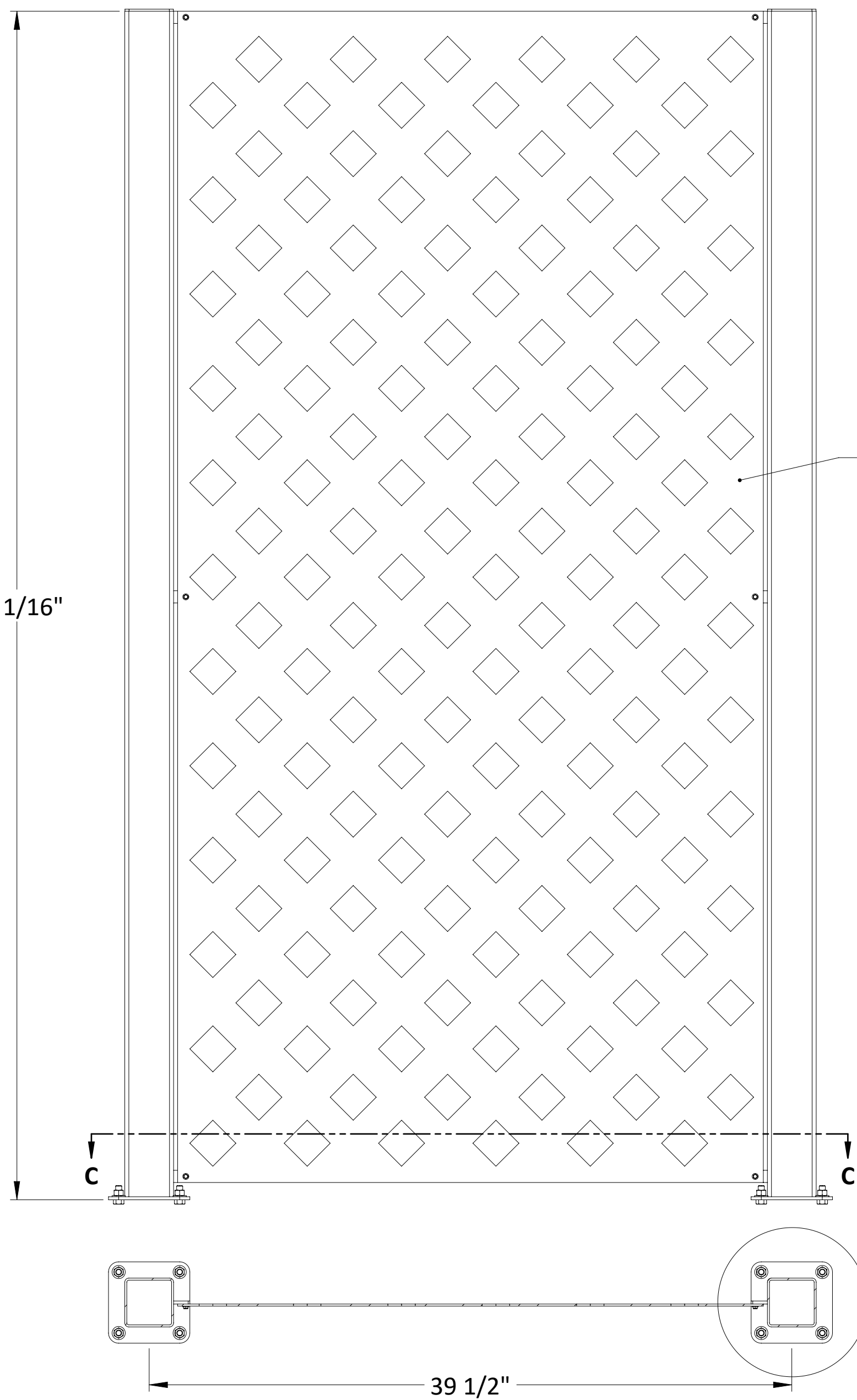
N/A - 2

REV:

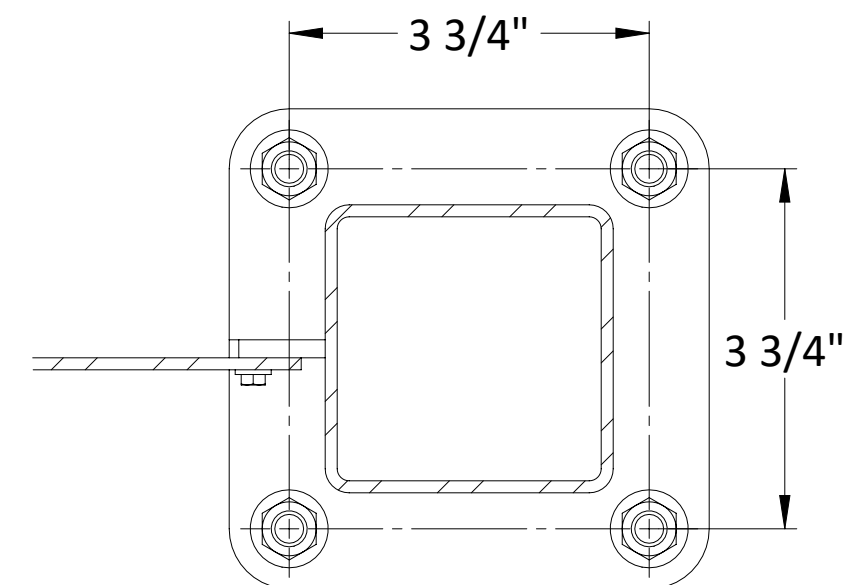
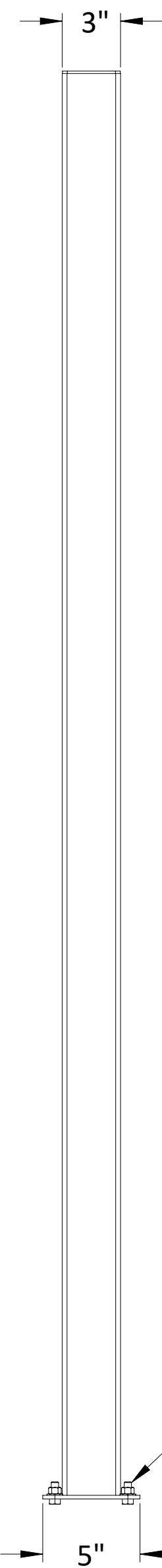
0

ALL DIMENSIONS IN INCHES UNLESS OTHERWISE NOTED

73 1/16"



1/8" STEEL
PRIVACY SCREEN



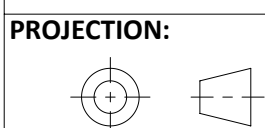
DETAIL D

3/8" ANCHORS

SECTION C-C

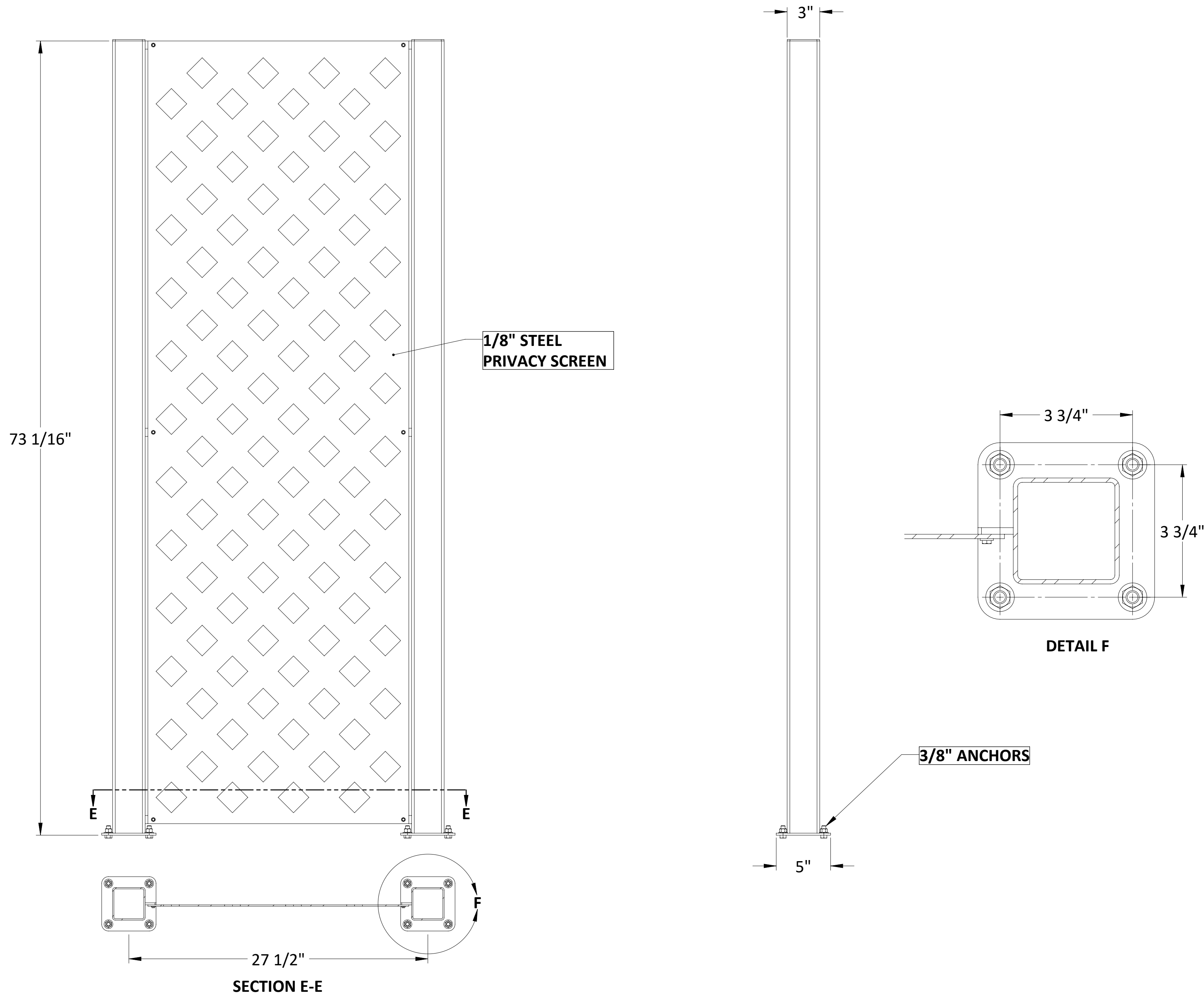


The information included in this document is proprietary and shall not be reproduced, transferred, or disclosed to others, for any purpose whatsoever, without the written authorization of Quantum Design and Technologies Inc.



SHEET SIZE:
C

DRAWN:	TP	PROJECT NAME:	PRIVACY SCREENS (4 X 6)	WT:	132.7 lbs
CHECKED:	NB	PROJECT #:	N/A	FINISH:	POWDERCOAT
APP:	NB	TITLE:	LATTACE 3-VIEW (3 X 6)		
DATE:	2021-11-26	SHEET 3 OF 4	DWG #:	N/A - 3	REV: 0



The information included in this document is proprietary and shall not be reproduced, transferred, or disclosed to others, for any purpose whatsoever, without the written authorization of Quantum Design and Technologies Inc.

PROJECTION:

SHEET SIZE: **C**

DRAWN: TP	PROJECT NAME: PRIVACY SCREENS (4 X 6)	WT: 108.9 lbs
CHECKED: NB	PROJECT #: N/A	FINISH: POWDERCOAT
APP: NB	TITLE: LATTICE 3-VIEW (2 X 6)	
DATE: 2021-11-26	SHEET 4 OF 4	DWG #: N/A - 4 REV: 0

ALL DIMENSIONS IN INCHES UNLESS OTHERWISE NOTED