



The information included in this document is proprietary and shall not be reproduced, transferred, or disclosed to others, for any purpose whatsoever, without the written authorization of Quantum Design and Technologies Inc.

PROJECTION:



SHEET SIZE:

C

DRAWN:

TP

PROJECT NAME:

PRIVACY SCREENS (4 X 6)

WT: **165.3 lbs**

CHECKED:

NB

PROJECT #:

N/A

FINISH:

POWDERCOAT

APP:

NB

TITLE:

BRANCH RENDER

DATE:

2021-11-26

SHEET 1 OF 4

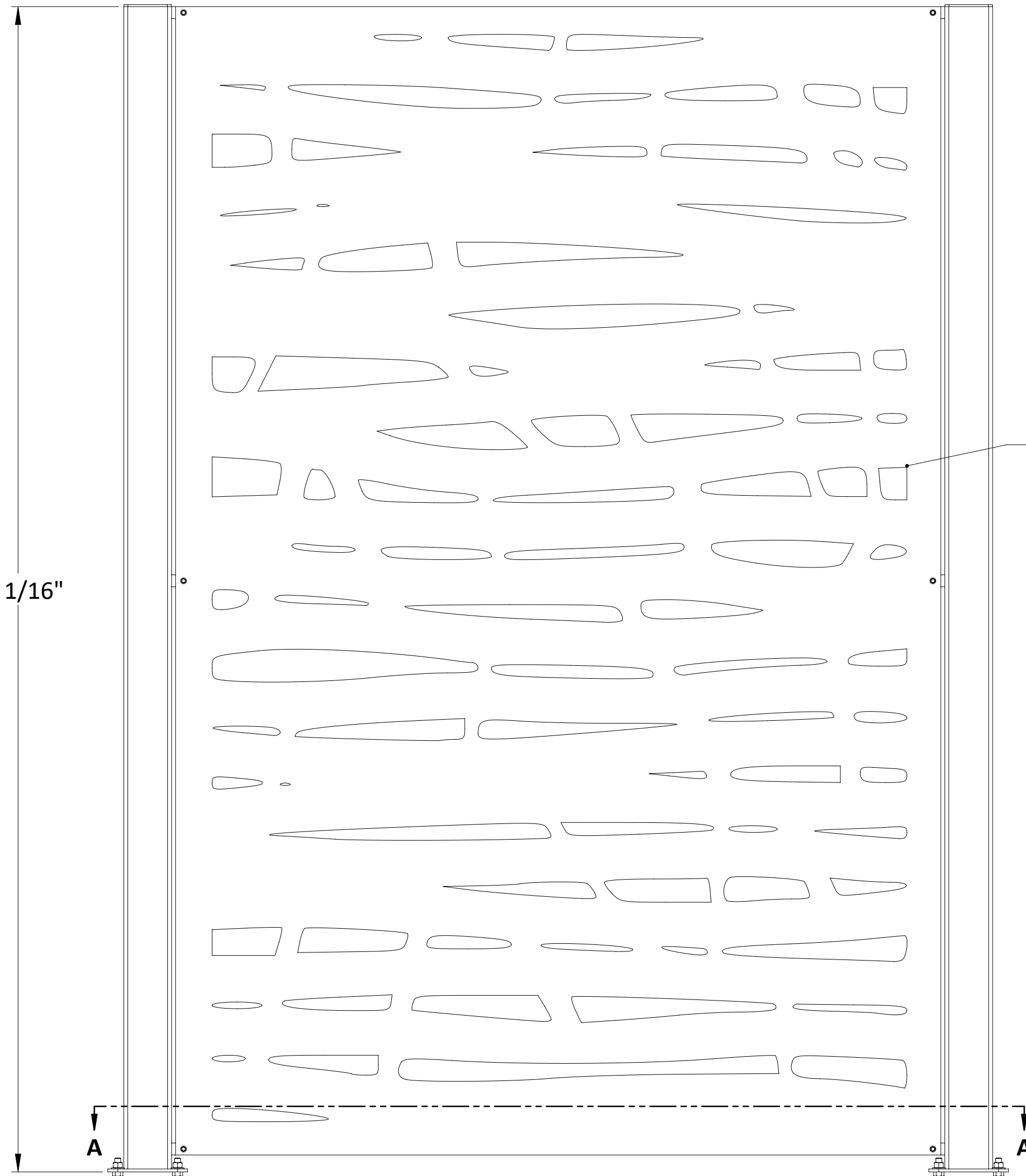
DWG #:

N/A - 1

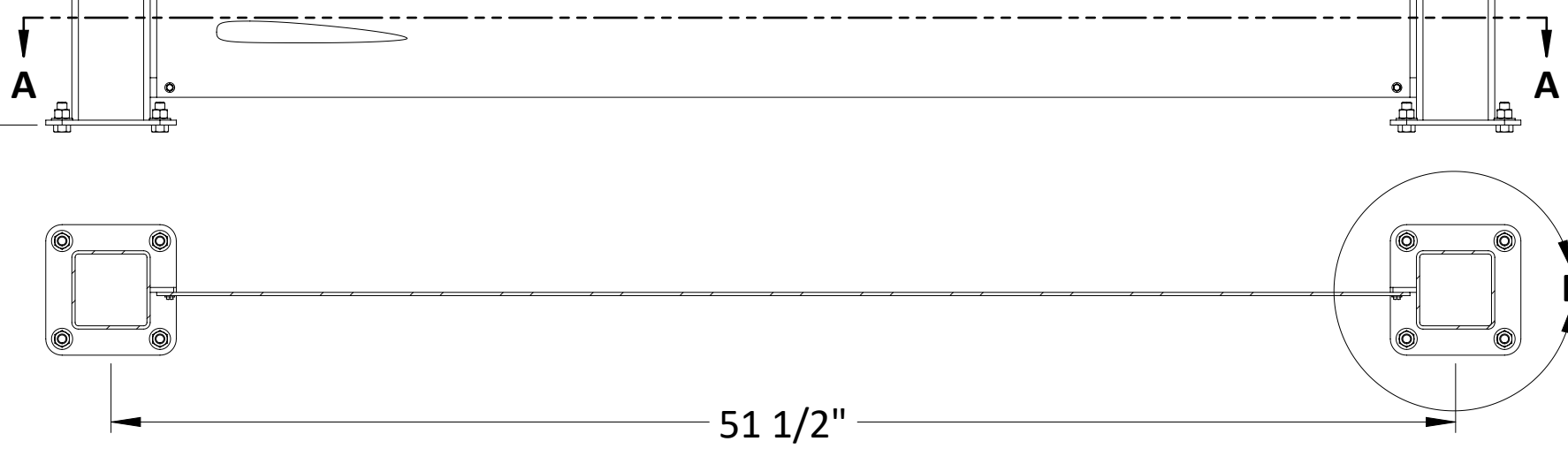
REV:

0

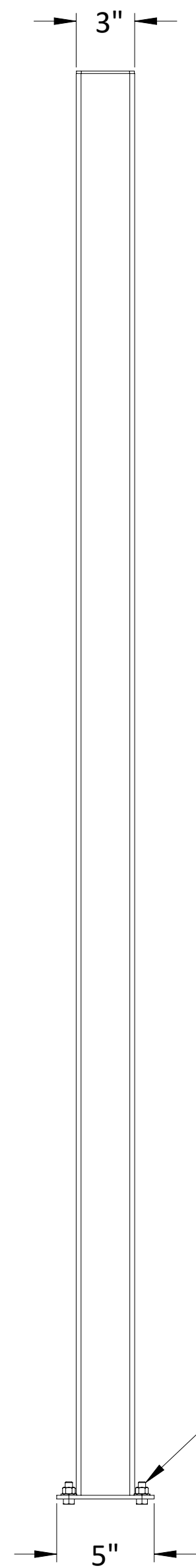
73 1/16"



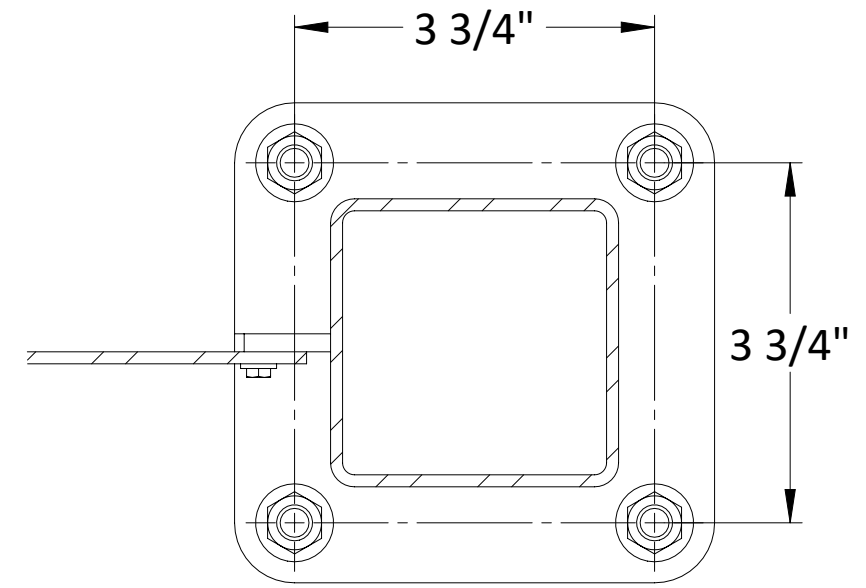
1/8" STEEL
PRIVACY SCREEN



SECTION A-A



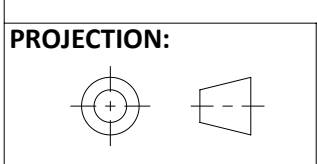
3/8" ANCHORS



DETAIL B



The information included in this document is proprietary and shall not be reproduced, transferred, or disclosed to others, for any purpose whatsoever, without the written authorization of Quantum Design and Technologies Inc.

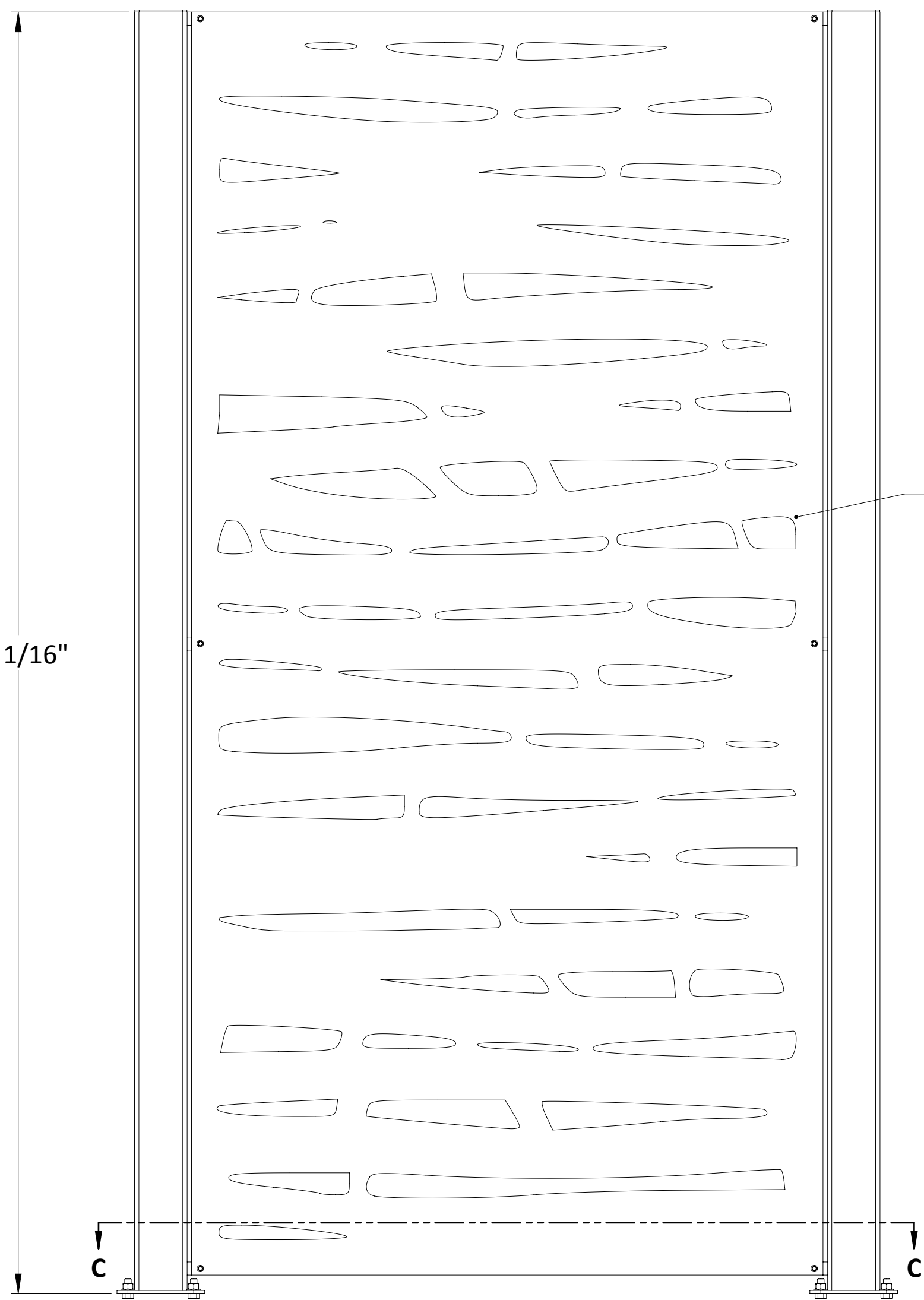


SHEET SIZE:
C

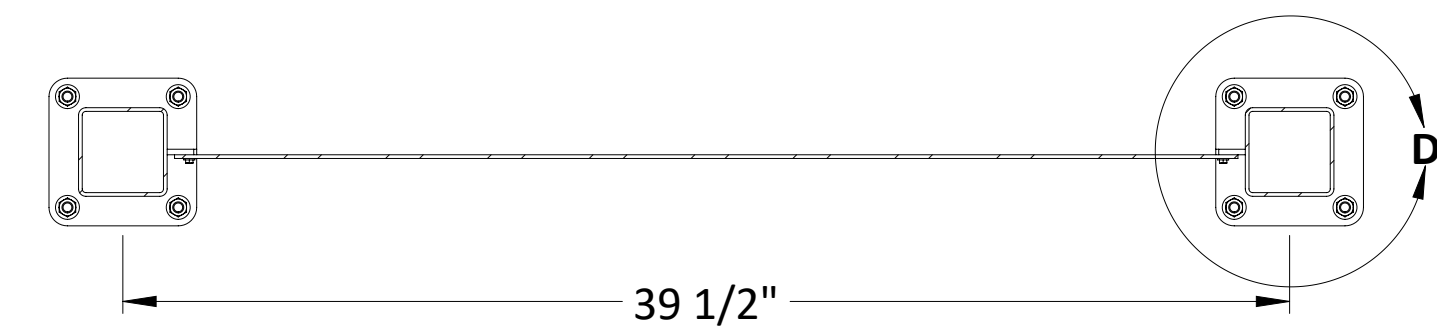
DRAWN:	TP	PROJECT NAME:	PRIVACY SCREENS (4 X 6)		WT:	165.3 lbs
CHECKED:	NB	PROJECT #:	N/A	FINISH:	POWDERCOAT	
APP:	NB	TITLE:	BRANCH 3-VIEW (4 X 6)			
DATE:	2021-11-26	SHEET 2 OF 4	DWG #:	N/A - 2	REV:	0

ALL DIMENSIONS IN INCHES UNLESS OTHERWISE NOTED

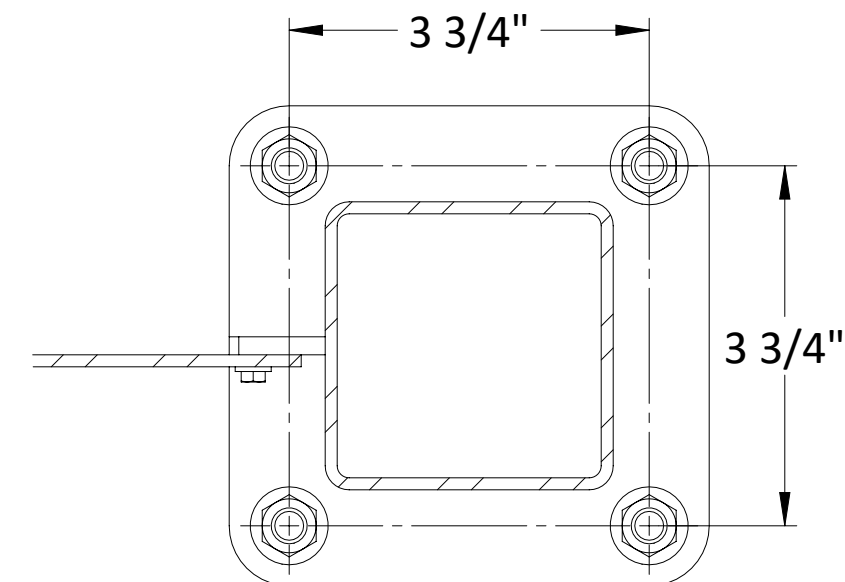
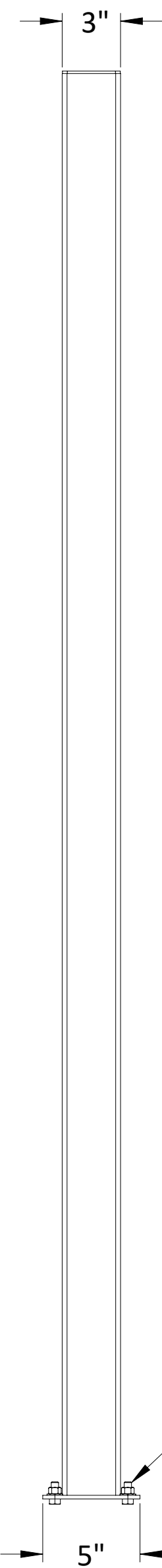
73 1/16"



1/8" STEEL
PRIVACY SCREEN



SECTION C-C



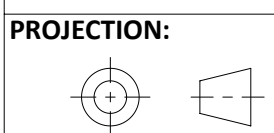
DETAIL D

3/8" ANCHORS

5"

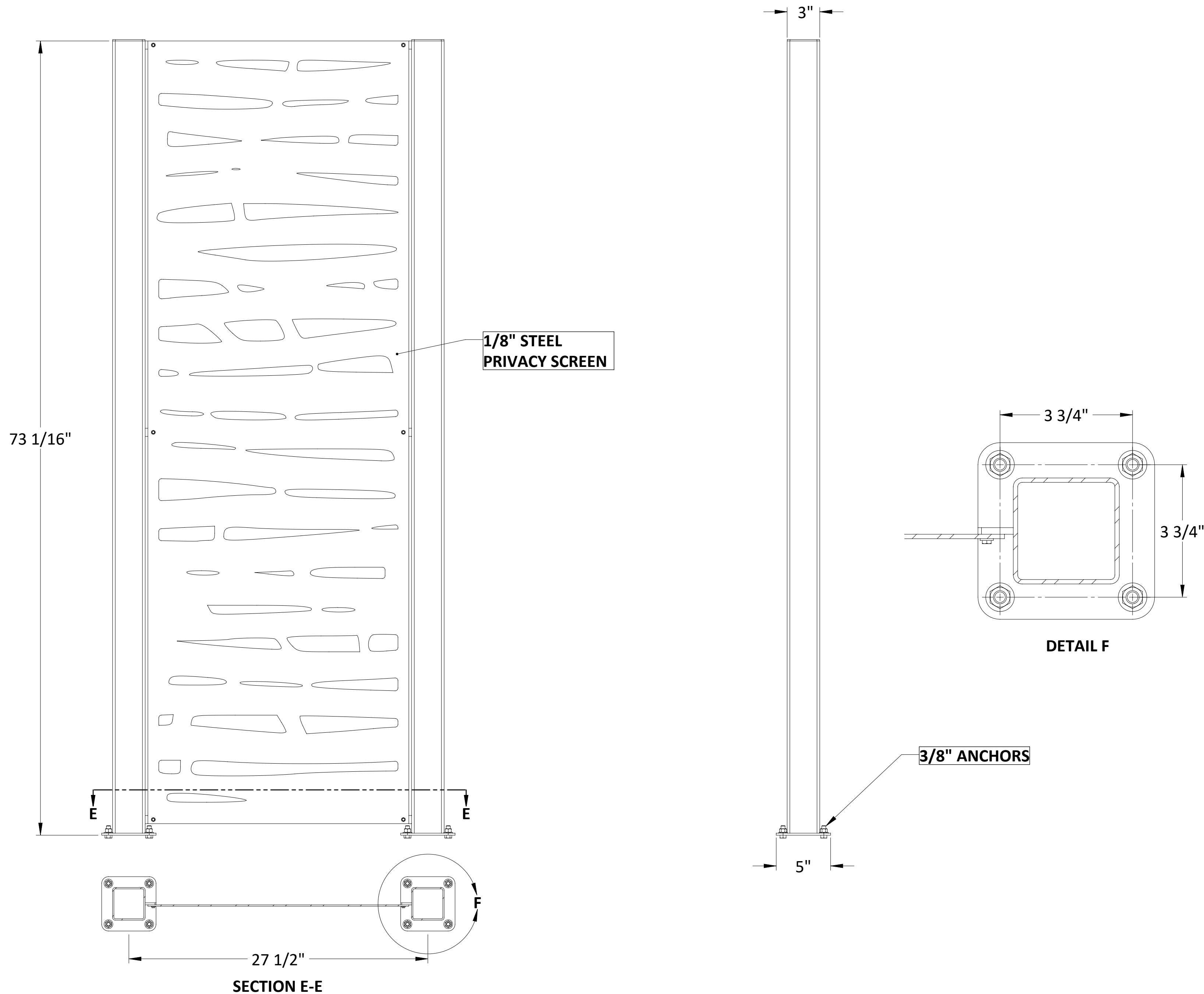


The information included in this document is proprietary and shall not be reproduced, transferred, or disclosed to others, for any purpose whatsoever, without the written authorization of Quantum Design and Technologies Inc.



SHEET SIZE:
C

DRAWN:	TP	PROJECT NAME:	PRIVACY SCREENS (4 X 6)		WT:	137.7 lbs
CHECKED:	NB	PROJECT #:	N/A	FINISH:	POWDERCOAT	
APP:	NB	TITLE:	BRANCH 3-VIEW (3 X 6)			
DATE:	2021-11-26	SHEET 3 OF 4	DWG #:	N/A - 3	REV:	0



The information included in this document is proprietary and shall not be reproduced, transferred, or disclosed to others, for any purpose whatsoever, without the written authorization of Quantum Design and Technologies Inc.

PROJECTION:

SHEET SIZE: **C**

DRAWN: TP	PROJECT NAME: PRIVACY SCREENS (4 X 6)	WT: 111.8 lbs
CHECKED: NB	PROJECT #: N/A	FINISH: POWDERCOAT
APP: NB	TITLE: BRANCH 3-VIEW (2 X 6)	
DATE: 2021-11-26	SHEET 4 OF 4	DWG #: N/A - 4 REV: 0

ALL DIMENSIONS IN INCHES UNLESS OTHERWISE NOTED