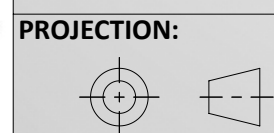




The information included in this document is proprietary and shall not be reproduced, transferred, or disclosed to others, for any purpose whatsoever, without the written authorization of Quantum Design and Technologies Inc.

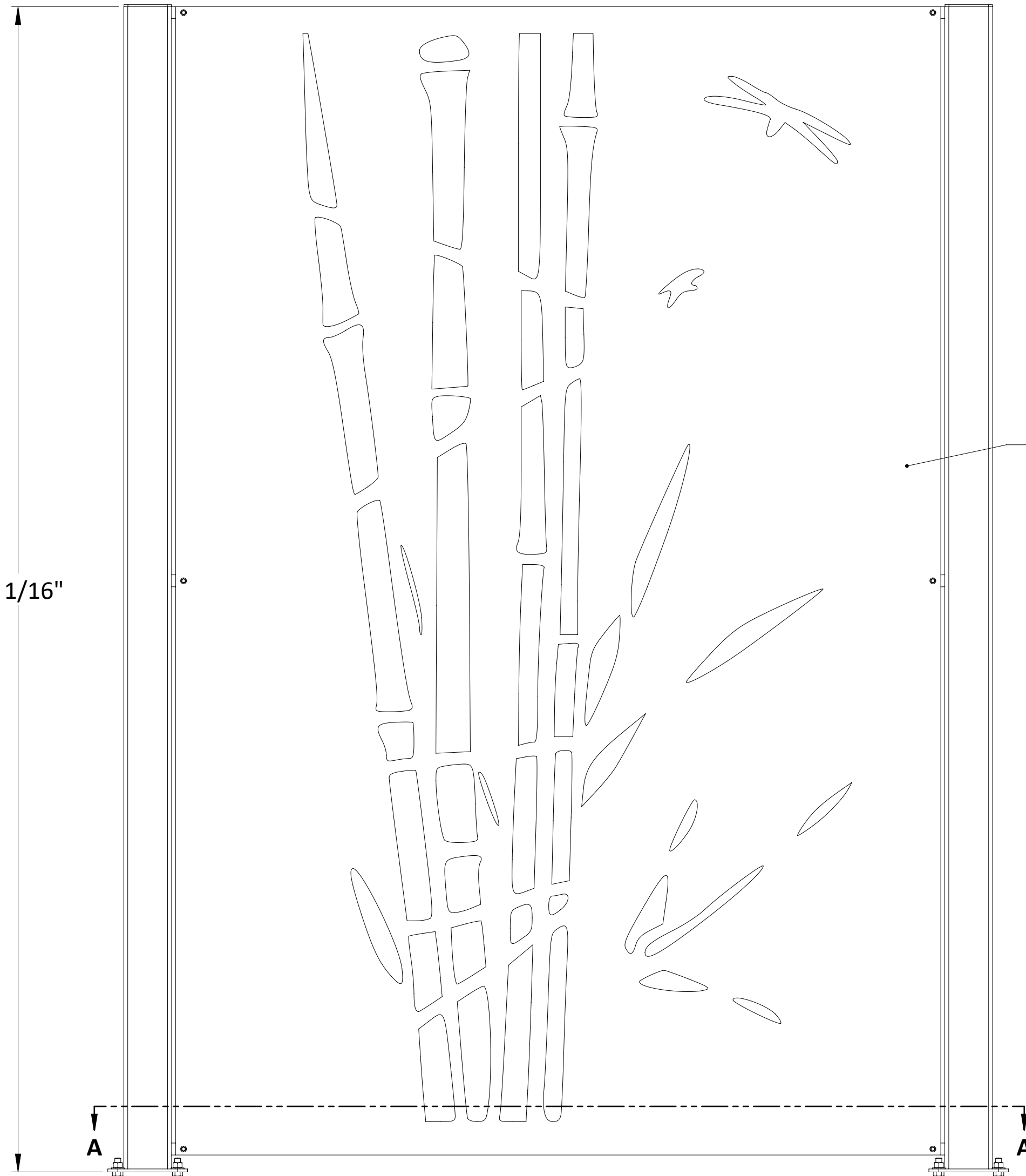


SHEET SIZE:
C

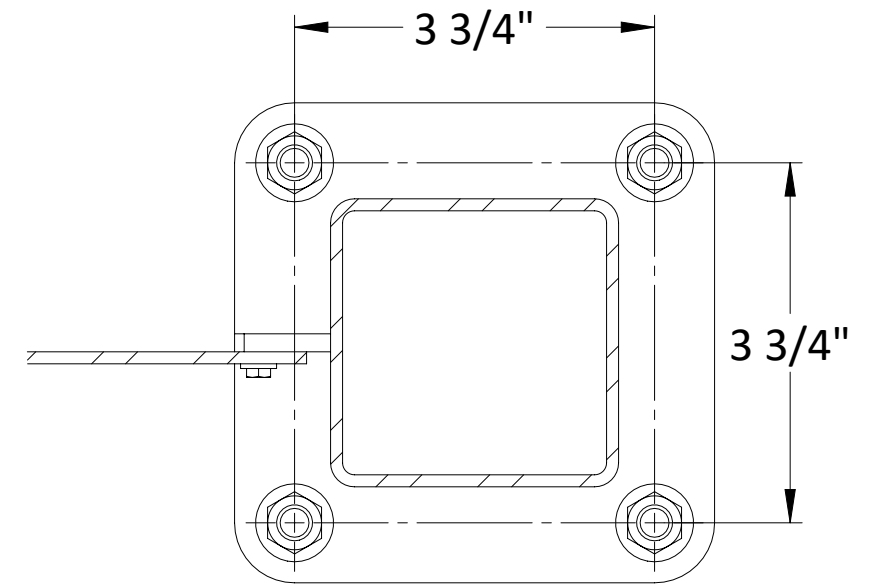
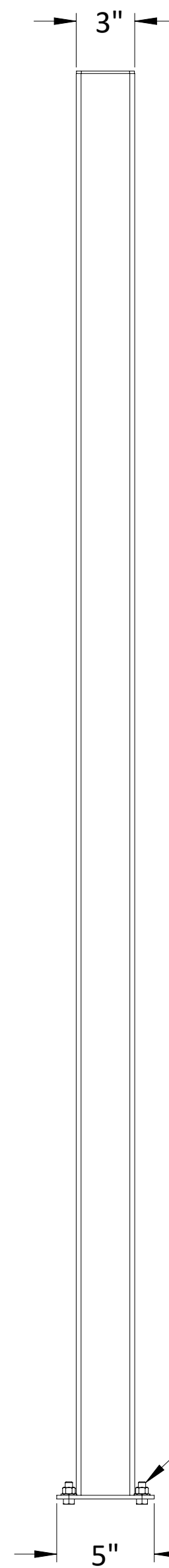
DRAWN: **TP**
 CHECKED: **NB**
 APP: **NB**
 DATE: **2021-11-26**

PROJECT NAME:	PRIVACY SCREENS		WT: 167.2 lbs
PROJECT #:	N/A	FINISH:	POWDERCOAT
TITLE:	BAMBOO RENDER		
SHEET 1 OF 4	DWG #:	N/A - 1	REV: 0

73 1/16"

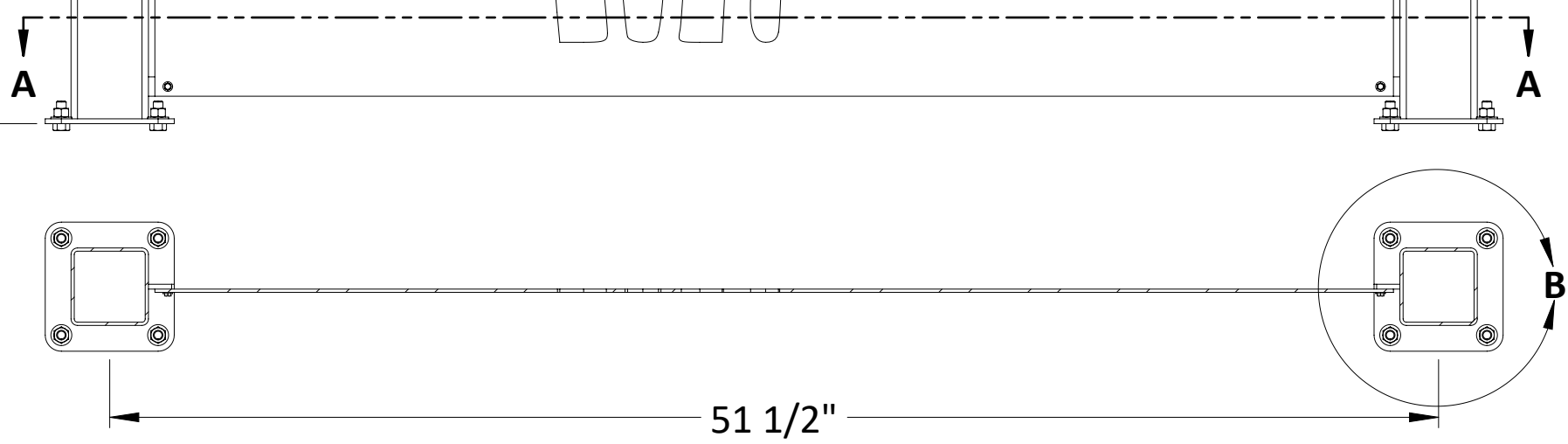


1/8" STEEL
PRIVACY SCREEN

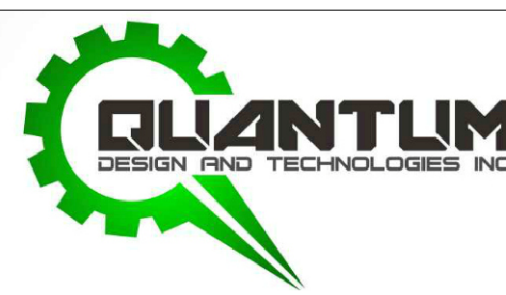


DETAIL B

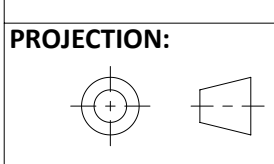
3/8" ANCHORS



SECTION A-A



The information included in this document is proprietary and shall not be reproduced, transferred, or disclosed to others, for any purpose whatsoever, without the written authorization of Quantum Design and Technologies Inc.

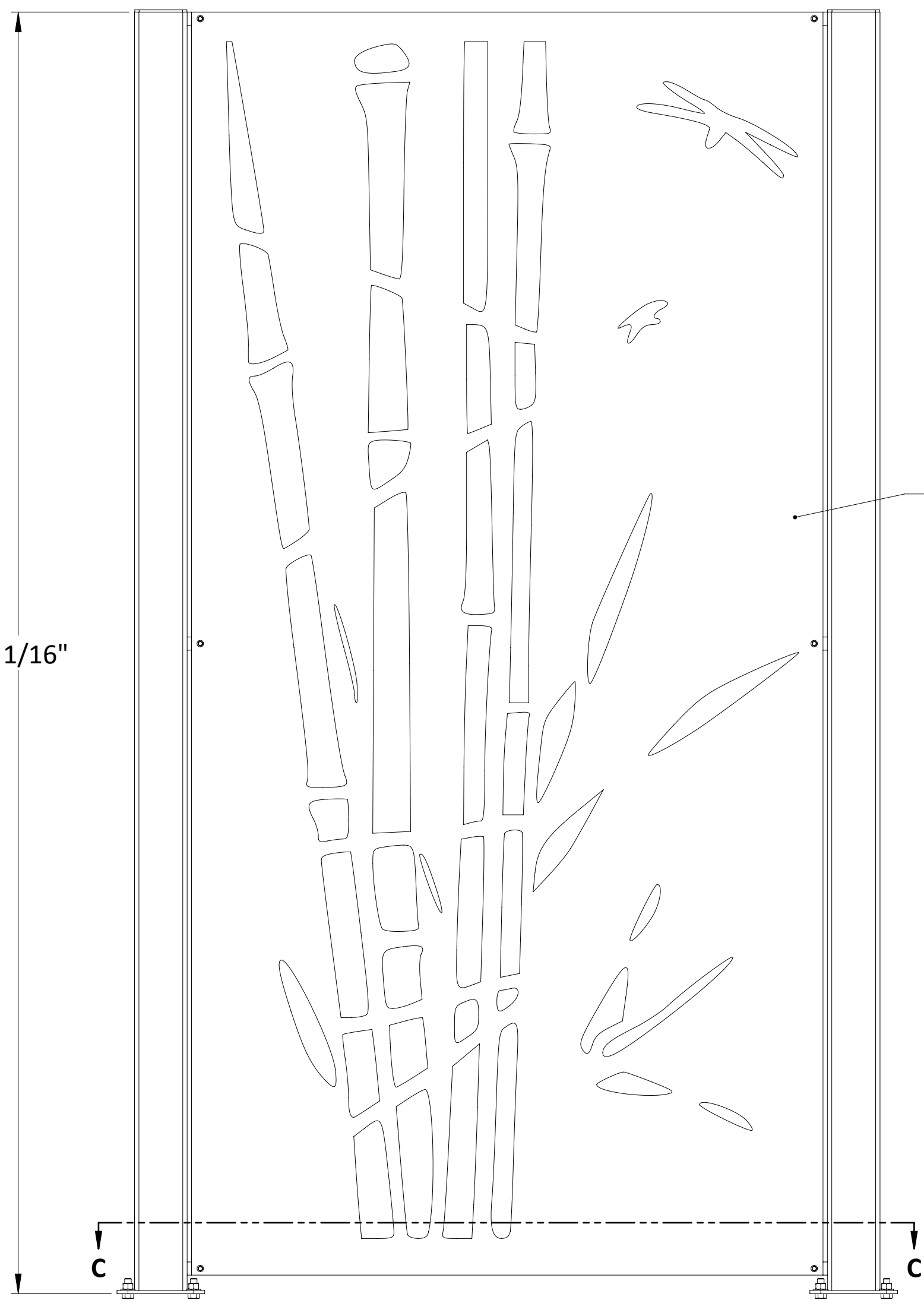


SHEET SIZE:
C

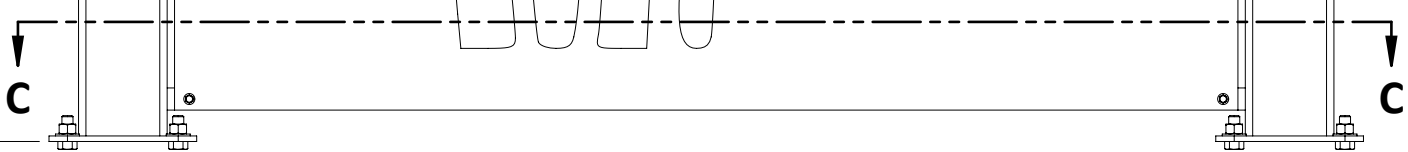
DRAWN:	TP	PROJECT NAME:	PRIVACY SCREENS		WT:	167.2 lbs
CHECKED:	NB	PROJECT #:	N/A	FINISH:	POWDERCOAT	
APP:	NB	TITLE:	BAMBOO 3-VIEW (4 X 6)			
DATE:	2021-11-26	SHEET 2 OF 4	DWG #:	N/A - 2	REV:	0

ALL DIMENSIONS IN INCHES UNLESS OTHERWISE NOTED

73 1/16"

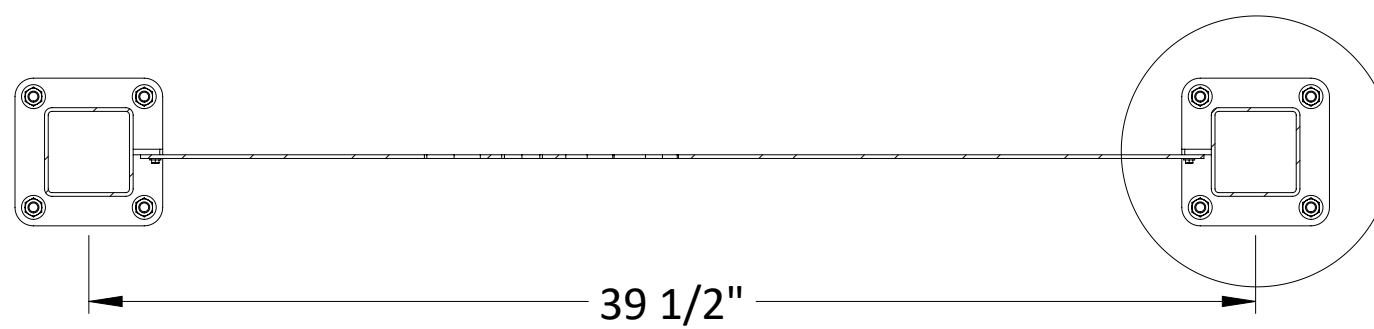


1/8" STEEL
PRIVACY SCREEN

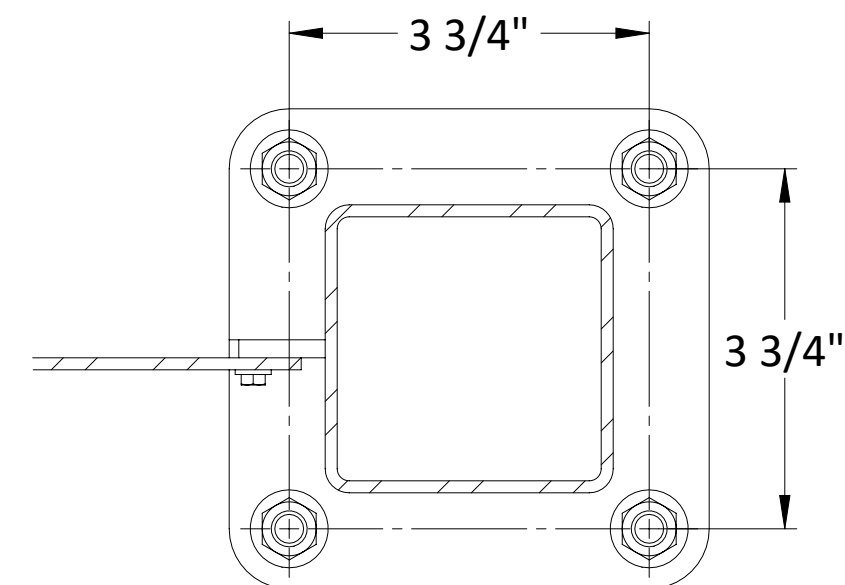
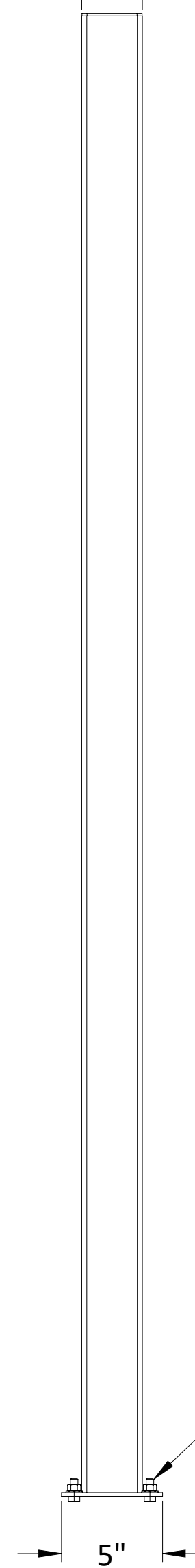


39 1/2"

SECTION C-C



3"



DETAIL D

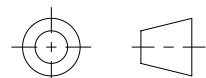
3/8" ANCHORS

5"



The information included in this document is proprietary and shall not be reproduced, transferred, or disclosed to others, for any purpose whatsoever, without the written authorization of Quantum Design and Technologies Inc.

PROJECTION:



SHEET SIZE:

C

DRAWN:

TP

PROJECT NAME:

PRIVACY SCREENS

WT: 136.7 lbs

CHECKED:

NB

PROJECT #:

N/A

FINISH:

POWDERCOAT

APP:

NB

TITLE:

BAMBOO 3-VIEW (3 X 6)

DATE:

2021-11-26

SHEET 3 OF 4

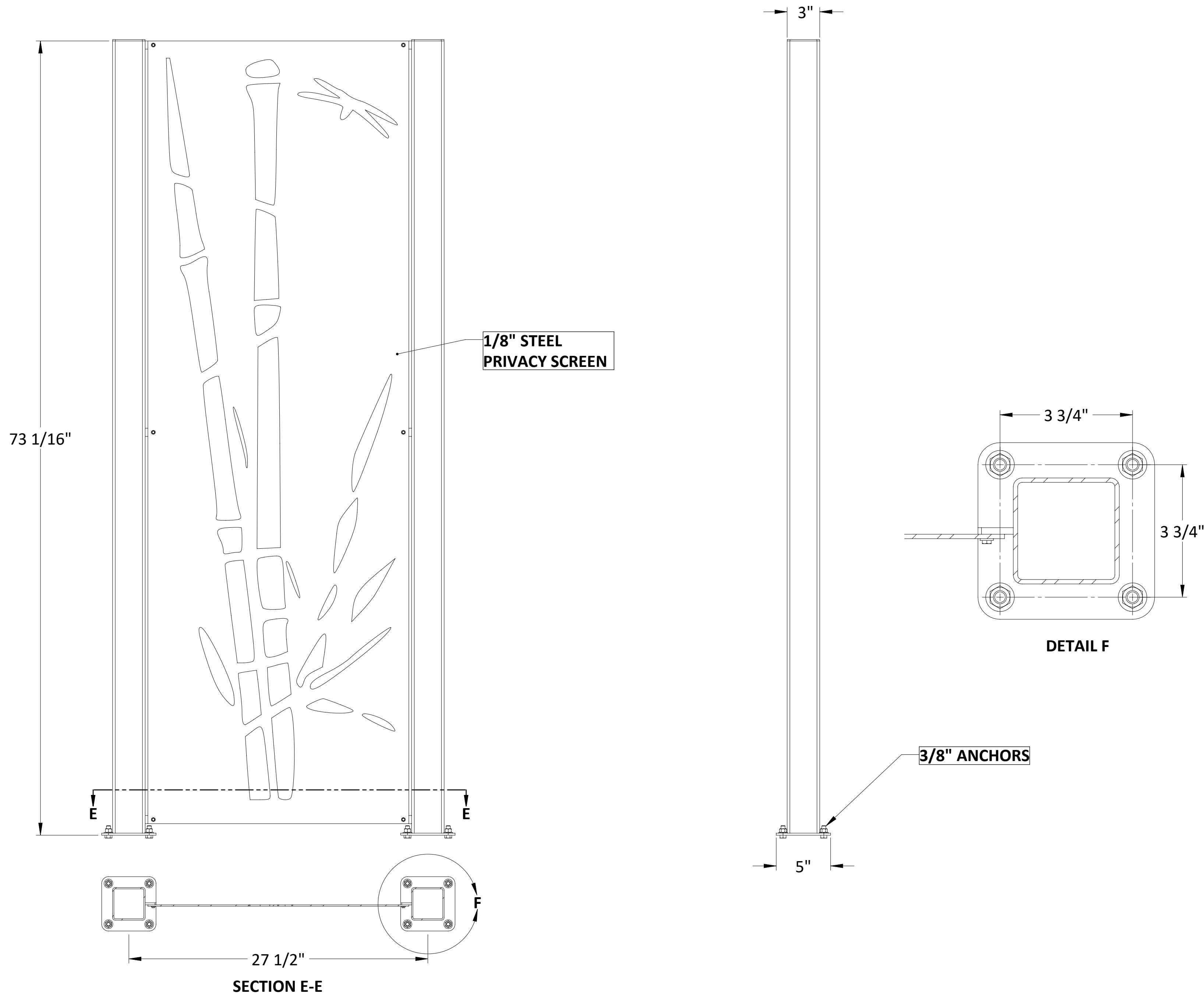
DWG #:

N/A - 3

REV:

0

ALL DIMENSIONS IN INCHES UNLESS OTHERWISE NOTED



The information included in this document is proprietary and shall not be reproduced, transferred, or disclosed to others, for any purpose whatsoever, without the written authorization of Quantum Design and Technologies Inc.

PROJECTION:

SHEET SIZE: **C**

DRAWN: TP	PROJECT NAME: PRIVACY SCREENS	WT: 112.2 lbs
CHECKED: NB	PROJECT #: N/A	FINISH: POWDERCOAT
APP: NB	TITLE: BAMBOO 3-VIEW (2 X 6)	
DATE: 2021-11-26	SHEET 4 OF 4	DWG #: N/A - 4
		REV: 0

ALL DIMENSIONS IN INCHES UNLESS OTHERWISE NOTED